

# NEXUS<sup>®</sup> 100

## LARGE SIGN KIT

### ASSEMBLY INSTRUCTION MANUAL

IMPORTANT NOTE: ENSURE THAT ALL RELEVANT PERSONNEL READ THESE INSTRUCTIONS PRIOR TO USE

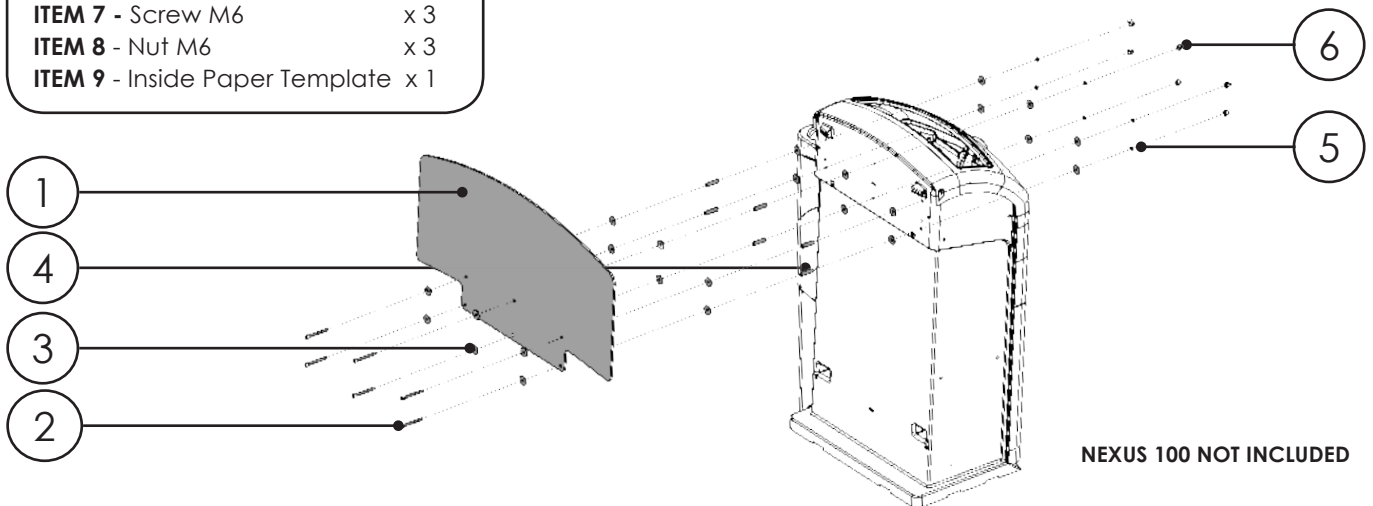
For instruction on operating the bin, please read the Nexus<sup>®</sup> 100 Bin instructions.

#### KIT CONTENTS:

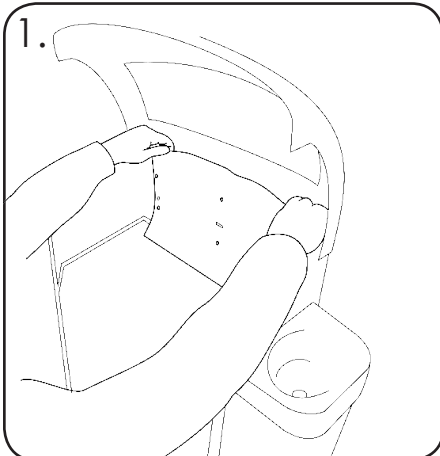
<b>ITEM 1</b> - Foamex Sign	x 1
<b>ITEM 2</b> - Socket Screw M6	x 6
<b>ITEM 3</b> - Washer M6	x 24
<b>ITEM 4</b> - Spacer M6	x 6
<b>ITEM 5</b> - Hex Nut M6	x 6
<b>ITEM 6</b> - Nut Cap	x 6
<b>ITEM 7</b> - Screw M6	x 3
<b>ITEM 8</b> - Nut M6	x 3
<b>ITEM 9</b> - Inside Paper Template	x 1

#### EQUIPMENT REQUIRED:

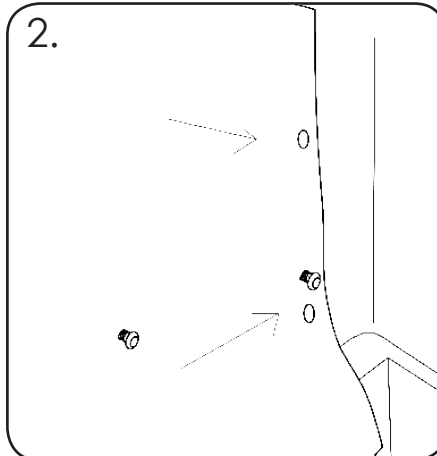
- Hand Drill with 6.5mm Drill Bit	x 1
- 10mm Spanner	x 1
- 5mm Allen Key	x 1



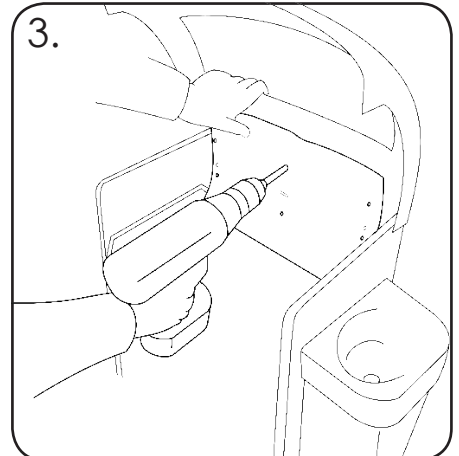
#### FIXING THE SIGN TO THE NEXUS 100 BIN BODY



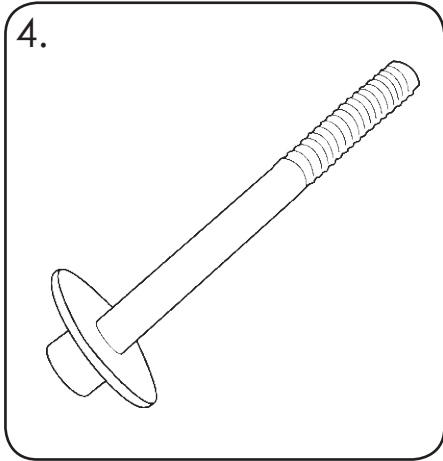
1. Open the bin lid and remove the door, Place ITEM 9 against the back of the inside of the bin, locate the points marked with arrows with the existing holes. Fold the top of the paper template over the back, following the curve of the bin.



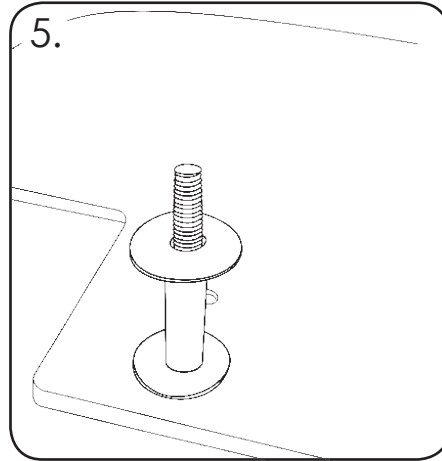
2. Using ITEM 9 as a guide, Poke through the paper and fix the template to the bin temporarily using the 3 sets of ITEM 7 & ITEM 8 fixings. You may wish to tape the template into place to secure it further.



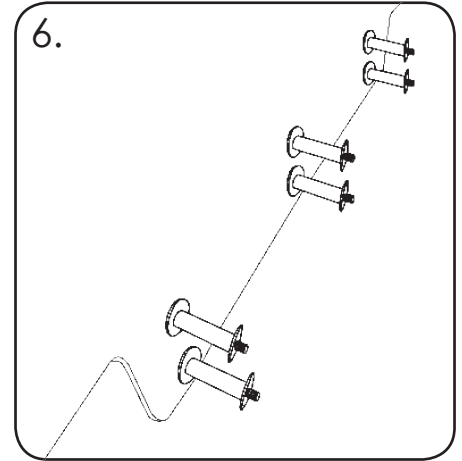
3. Carefully drill the 3 new holes (marked red) in the back of the bin using the hand drill, be sure to drill only the bin body and not the bin lid . Once complete, remove the fixings and paper template from the bin.



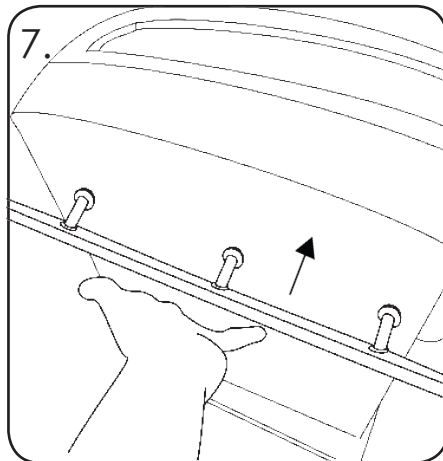
4. Place ITEM 3 onto ITEM 2.



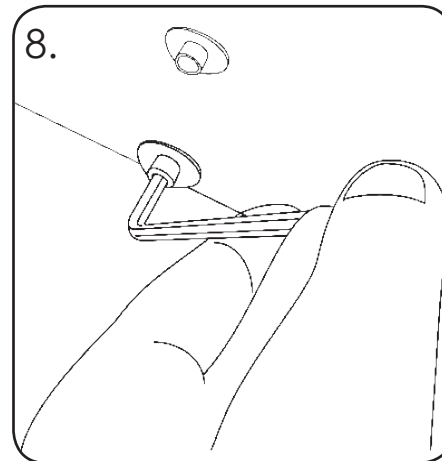
5. Place the assembled fixings through one of the holes on the rear of ITEM 1. Then as shown above place ITEM 3, ITEM 4 and ITEM 3 onto the Screw.



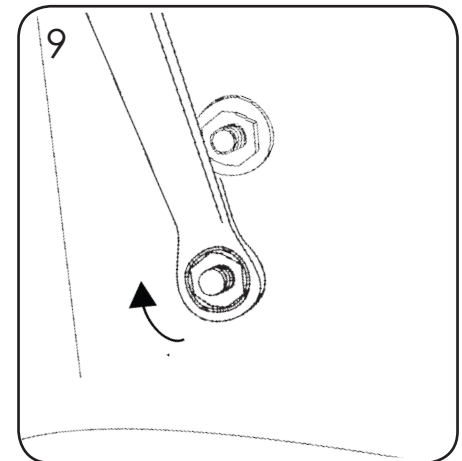
6. Repeat STEPS 4 & 5 for all 6 sets of fixings on ITEM 1.



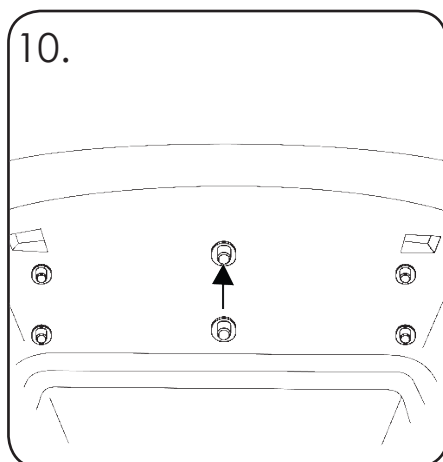
7. Carefully insert the 6 sets of fixings through the 6 fixing holes on the rear of the bin body. Use ITEM 9 to ensure the sign is inserted into the correct points.



8. From the rear of ITEM 1 insert the Allen Key into the Screw Head. To hold the fixing in place



9. From the inside of the Nexus 100. Thread ITEM 3 & ITEM 5 onto the same Screw. Using the Spanner tighten the Nut to secure the fixing in place.



10. Repeat steps 8 & 9 for all 6 sets of fixings fully securing the Sign to the Nexus 100 body. Finally place ITEM 6 onto ITEM 5, repeat for all 6 sets of fixings.



 **Glasdon** AND NEXUS ARE TRADEMARKS OR REGISTERED TRADEMARKS OF GLASDON GROUP OR ITS SUBSIDIARIES IN THE U.K. AND OTHER COUNTRIES

- A planned maintenance schedule or regular inspection is recommended, replacing components as necessary.
- Replacement components are available direct from GLASDON.
- GLASDON cannot be held responsible for claims arising from incorrect installation, unauthorised modifications or misuse of the product.

Issue 3 - January 2018 - Stock No. C000/0516 - DWG No. 07B-320-128

© Copyright JANUARY 2018

Glasdon UK Ltd reserve the right to alter specifications without prior notice.

 **Glasdon**<sup>®</sup>  
**Glasdon U.K. Limited**  
Preston New Road  
BLACKPOOL  
Lancashire  
FY4 4UL  
Tel: (01253) 600410  
Fax: (01253) 792558  
e-mail: [sales@glasdon-uk.co.uk](mailto:sales@glasdon-uk.co.uk)  
web: [www.glasdon.com](http://www.glasdon.com)